

General overhaul of hoist units

For extended service life



Benefit from manufacturer expertise and efficiency – with the Demag general overhaul



Your powered rope and chain hoists as well as crane hoist units are subject to continuous wear. This puts permanent, safe and cost-effective operation at risk, unless continued safe use is guaranteed by a Demag general overhaul. Such a general overhaul is performed professionally and cost-effectively by Demag Service as a complete package based on the sound competence of the manufacturer. Once we have performed a general overhaul, the operating principle, performance values and expected service life of your equip-

ment are at a level comparable with new products. A Demag general overhaul includes the original parts specified by the manufacturer and presents a cost-effective alternative to new installations.

On site at the customer

Thanks to our wide service presence, we are able, on request, to offer you a Demag general overhaul directly on site at your location. In this way, you ensure the value and maximum performance of an overhauled installation is maintained.



At the same time, you benefit from:

- Your installation is shut down for only a short period
- The overhaul is scheduled according to your requirements
- Direct local contacts
- Adjustment work on all parts



40317-20

At the Demag production site

To extend service life, even for smaller installations and equipment, it is worth taking advantage of an external general overhaul at the Demag production facility or at an authorised Demag partner.

Your benefits:

- Short execution times
- Chain hoists loaned free of charge for the duration of the general overhaul, on request
- Cost estimate free of charge and current status report on the product

- 125% full-load test and detailed documentation
- New paint finish
- Demag disposes of old parts free of charge

Demag general overhaul with plug & play

The Demag general overhaul guarantees you plug&play-typical handling of the overhauled installation and includes:

- General overhaul set with original spare parts for the respective hoist type

- Materials based on standard design
- Complete inspection of the product and replacement of parts by Demag specialists
- Function test of the overhauled installation and certification of the general overhaul
- 24-month guarantee for scope of repairs performed
- Stipulation of the new theoretical service life
- Specification of max. period until the next general overhaul

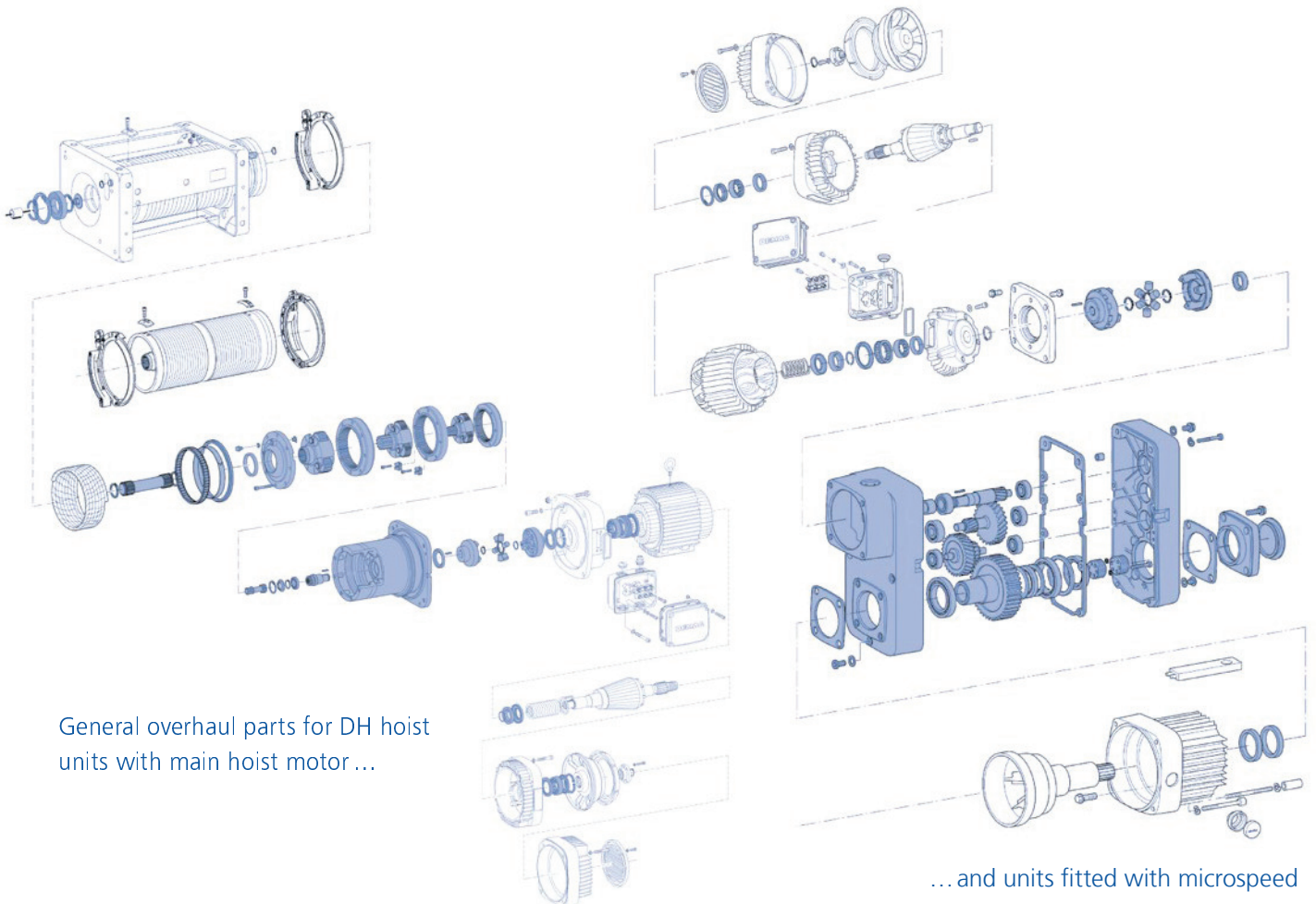
For DH hoists with main hoist motor and mechanical microspeed

General overhaul for DH 600 with FG 08

- Gearbox parts
- Splined shaft
- Gear oil
- Coupling
- Main hoist motor parts
- Microspeed gearbox
- Microspeed motor parts
- Drum bearing



40310-2

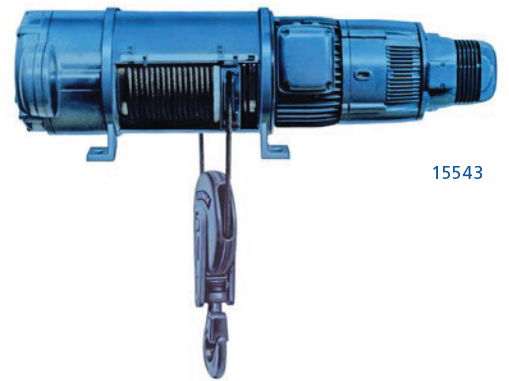


General overhaul parts for DH hoist units with main hoist motor ...

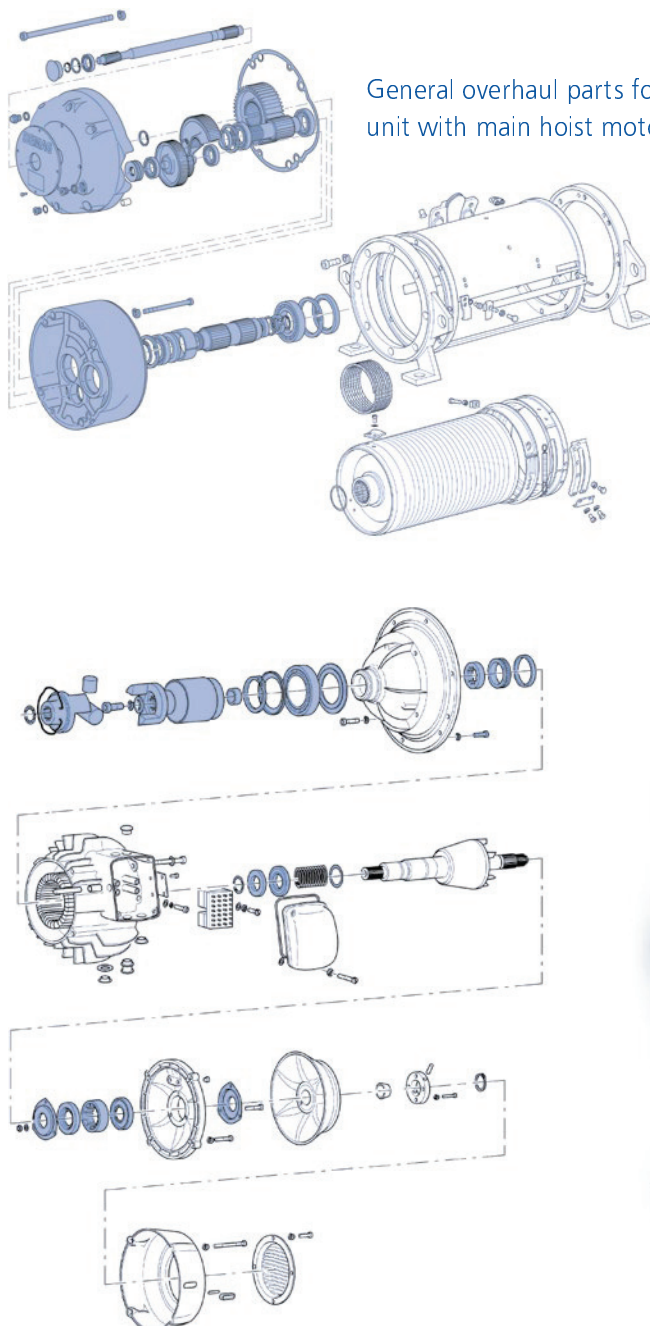
... and units fitted with microspeed

For P Hoists with main hoist motor or pole-changing main/creep lifting

- Gearbox
- Gear oil
- Drive shaft
- Coupling
- Main hoist motor parts
- Motor parts
- Microspeed gearbox

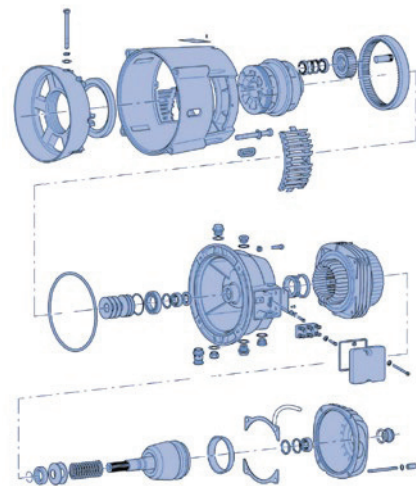


15543



General overhaul parts for P hoist unit with main hoist motor ...

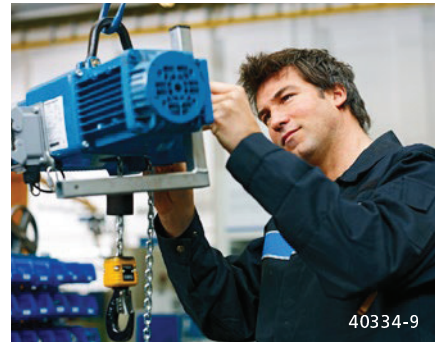
... and units fitted with microspeed



General overhaul for P 600 with FG 28

40310-1

Competent and versatile – your Demag Service



Demag Service ensures the highest possible availability and safety of your installations. Our broad range of services forms the basis for operating cranes and components efficiently and cost-effectively throughout their service life.

With a global network of Demag service teams and qualified Demag partners, our service provides everything required for integrated care – for Demag as well as for third-party installations.

The Demag range of services includes:

- Erection and commissioning
- Safety inspections
- Inspection and maintenance
- Fault elimination and repairs
- Modernisation and refurbishment
- Crane and crane runway surveys
- Fast supply of spare parts
- Detailed documentation
- On-call standby and 24-hour availability
- Product and operator training